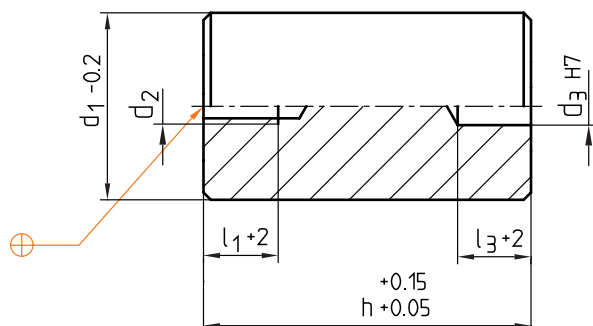


Z57/...

Mat.: 1.1730/640 N/mm²



l ₃	l ₁	d ₂	d ₃	d ₁	h	Nr./No.
15	15	M 8	8	32	46	Z57/32x 46
					56	56
					66	66
					76	76
				40	46	Z57/40x 46
					56	56
					66	66
					76	76
					86	86
					96	96
18	18	M10	10	50	56	Z57/50x 56
					66	66
					76	76
					86	86
					96	96
					116	116

l ₃	l ₁	d ₂	d ₃	d ₁	h	Nr./No.					
18	18	M10	10	63	56	Z57/63x 56					
					66	66					
					76	76					
					86	86					
					96	96					
					116	116					
					136	136					
					20	20	M12	12	80	76	Z57/80x 76
										86	86
										96	96
116	116										
136	136										
156	156										

This is trial version
www.adultpdf.com